

# WORLDSCREEN® MicroCassette40•16

## WORLDSCREEN'S PATENTED SOLAR SHADE INSTALLATION INSTRUCTIONS FOR INTERIOR & EXTERIOR SHADES

**Warning: These instructions have been drafted for use by a professional installer.**

Tools needed:

Drill with a 1/8" bit

#3 Phillips Screw driver or bit

Level and string

Tape measure

Stud finder(interior installations)

Mounting brackets required:

<b>Cassette width</b>	<b>Number of brackets</b>
Up to 8 feet	2 brackets
9 feet to 12 feet	3 brackets
13 feet to 16 feet	4 brackets
17 feet to 24 feet	5 brackets
25 feet to 30 feet	6 brackets
31 feet to 35 feet	8 brackets
36 feet to 40 feet	10 brackets

Do not install the cassette with less than the specified number of brackets.

### **Mounting the Cassette:**

Measure the width of the cassette. Mark the location of each end on the wall, casing or soffit. The brackets must be securely fastened to support the cassette. It is best to screw the brackets into solid wood, casing trim or sheathing. For inside installations, it is best to locate and attach the brackets by screwing through the sheetrock into the wall studs. If this is not possible, then extra brackets should be used along with quality hollow wall anchors.

**Wall Mount:** The two outermost brackets should be located approximately 2" in from each end of the Cassette and at least 3/8" below any ceiling, soffit or trim to allow for bracket flex during attachment of the cassette. Measure and mark these locations. Install the first bracket using the supplied #12 flat head stainless steel screws. **The cassette must be installed level in order for the fabric to track straight.** Use a string pulled tight across the top of the first bracket and using a level, locate the exact mounting location of the second bracket and install. If your solar shade requires additional mounting brackets, install them evenly between the end brackets.

**Ceiling or Soffit Mount:** The two outermost brackets should be located approximately 2" in from each end of the cassette and at least 3/8" away from any wall to allow for bracket flex during attachment of the cassette. Measure and mark these locations. Install the first bracket using the supplied #12 flat head stainless steel screws. **The cassette must be installed level in order for the fabric to track straight.** If the ceiling or soffit is not level, then shim the brackets to assure a level installation. If your solar shade requires additional mounting brackets, install them evenly between the end brackets.

**Cassette Attachment:** Screws are not needed to attach the cassette to the brackets. The brackets are a snap-in design but regular roll brackets (See Illustration A) are not meant to be used more than once. It may be necessary to replace the regular roll brackets if the cassette is removed after initial installation. For wall mount using regular roll brackets, drop the back lower lip of the cassette into the hook on the bottom of the brackets. Start from either end and work to the opposite end by pushing in on the top front of the cassette to snap it into place. To snap cassette into soffit-mounted regular roll brackets, push in on the bottom edge of the cassette while at the same time pushing in on the top of the cassette to snap it into place. Regular roll brackets may deform slightly when installing the cassette, causing it to sag. For wall mount installations simply bend the top of the bracket back down and in at the same time using a hammer and wood block if you have access, or a small pry bar if access is limited. For a soffit or ceiling mount, pull up and lift toward you at the same time on the back of the bracket to bend it until the cassette is parallel to the mounting surface. Reverse roll and ceiling pocket brackets (see Illustrations B& C) will not deform and may be used for re-installation of a cassette.

## MOTORS

The motor, along with the roller tube, must always float. It is very important that the motor cord which goes through the top or back of the cassette moves freely. **DO NOT PULL THE CORD TIGHT WHEN WIRING.** Be sure the electrician is aware of this very important fact.

### Mounting the Tracks:

If your solar shade was ordered with side tracks, they will be pre-drilled and supplied with #12 x 2" pan head screws to mount the tracks, along with color-matching caps to cover the outer holes. **Solar shades 8 feet wide or less may be installed without cassette mounting brackets.** On a flat surface, slide the tracks over the tabs of the cassette, making sure the tabs slide into the channel guides on the inside of the rail profile (see illustration D) and the weight bar guides

are in the rail slots. Push the rails up to the bottom of the cassette. Drill and rivet each rail to the end cover tab. Position the entire assembly on the mounting area and screw the tracks to the wall or trim, making sure the tracks are mounted square to the cassette and parallel to each other, leaving 1/16" between the weight bar end cap and the inside edge of the track (see illustration E). Solar shades over 8' wide. Once the cassette is mounted to the brackets, slide the first rail over the end cover tab making sure the tab slides into the channel guides on the inside of the rail (see illustration D) and push the rail up to the bottom of the cassette. Make sure the rail is perpendicular to the cassette. Secure the rail to the wall or trim with the supplied #12 x 2" phillip pan head screws. Repeat with the second rail, again making sure the tracks are mounted square to the cassette and parallel to each other, leaving 1/16" between the weight bar end cap and the inside edge of the track (see illustration E).

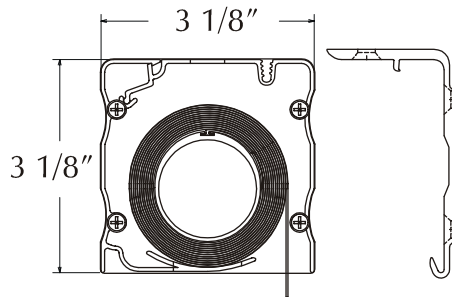
### **Mounting the Cables:**

Once the cassette is mounted, attach the upper portion of the color-matching cables to the cassette end cover tab using the supplied stainless steel allen screw (see illustration E). Decide whether you want the wall mounting leg of the bottom bracket to face up or down. Feed the cable bottom through the hole in the bottom mounting bracket and thread the tubular adjusting nut onto the threaded cable end about 1/4". It is important to have a minimum of 1/4" threaded engagement into the 2-piece cable tensioning parts. If not, the threads may pull out of the mating cable adjustment piece. 1/4" engagement results in almost 3/4" of final cable tension adjustment. With the supplied #12 x 2" pan head angle mounting screws, mount the 1-1/2 x 1-1/2 regular roll angle or the 2" x 3" reverse roll angle to the building. Two screws are necessary in each angle bracket so it will not rotate. Make sure the cables are perpendicular to the cassette and each cable is directly below the cassette end cover. Tension, but do not over-tighten, the cable. Over-tightening will result in the cassette twisting or pulling out of its mounting brackets.

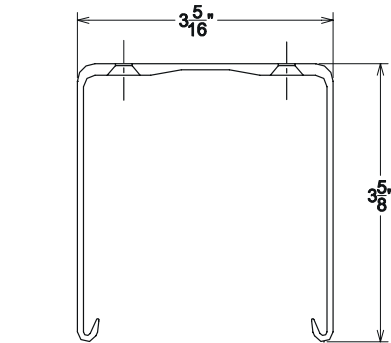
Good luck. It will be easy and fast. We put a lot of time into making it simple for you.

Worldscreen, Inc.  
843 Echo Lake Rd. Watertown, CT 06795  
www.worldscreeninc.com 800-445-4142

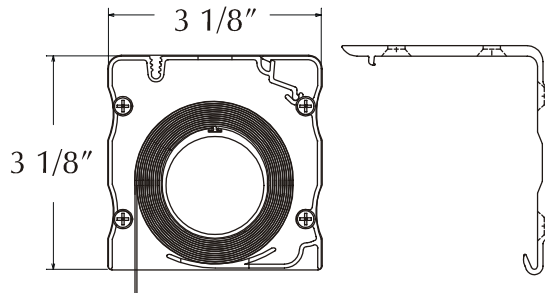
# WORLDSCREEN® MicroCassette40•16



**Regular Roll**  
Illustration A



**Ceiling Pocket Mount**  
Illustration C



**Reverse Roll**  
Illustration B

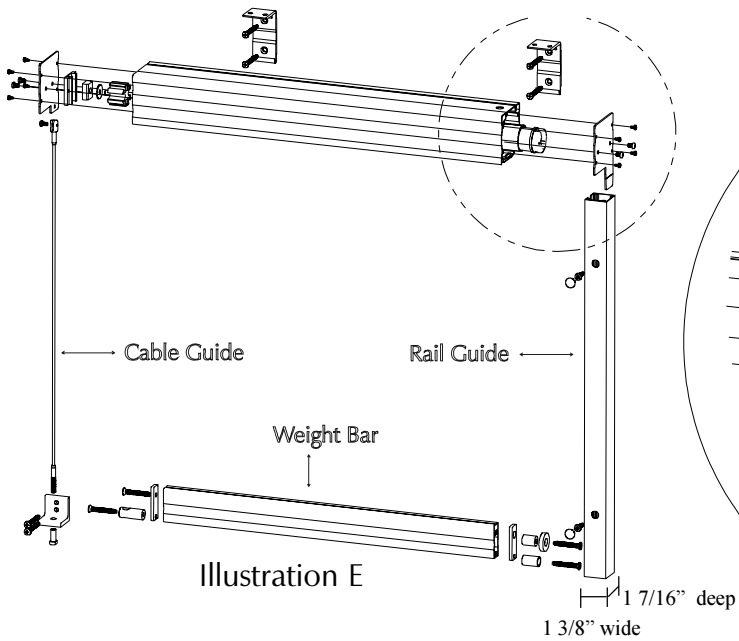
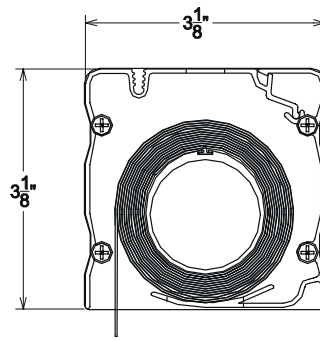


Illustration E

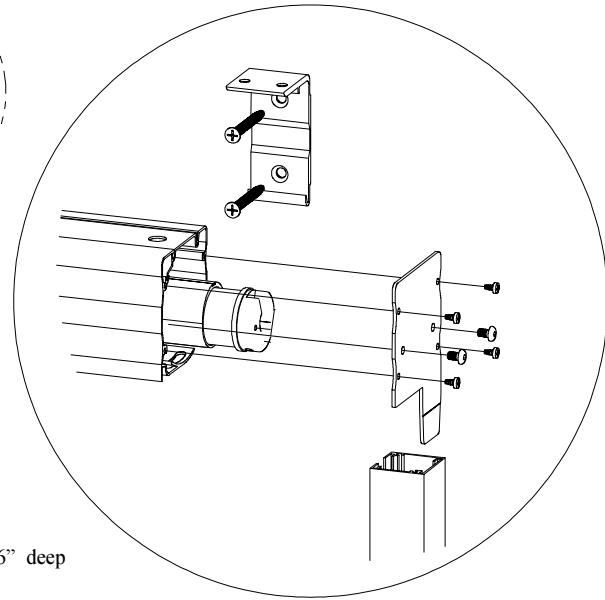


Illustration D